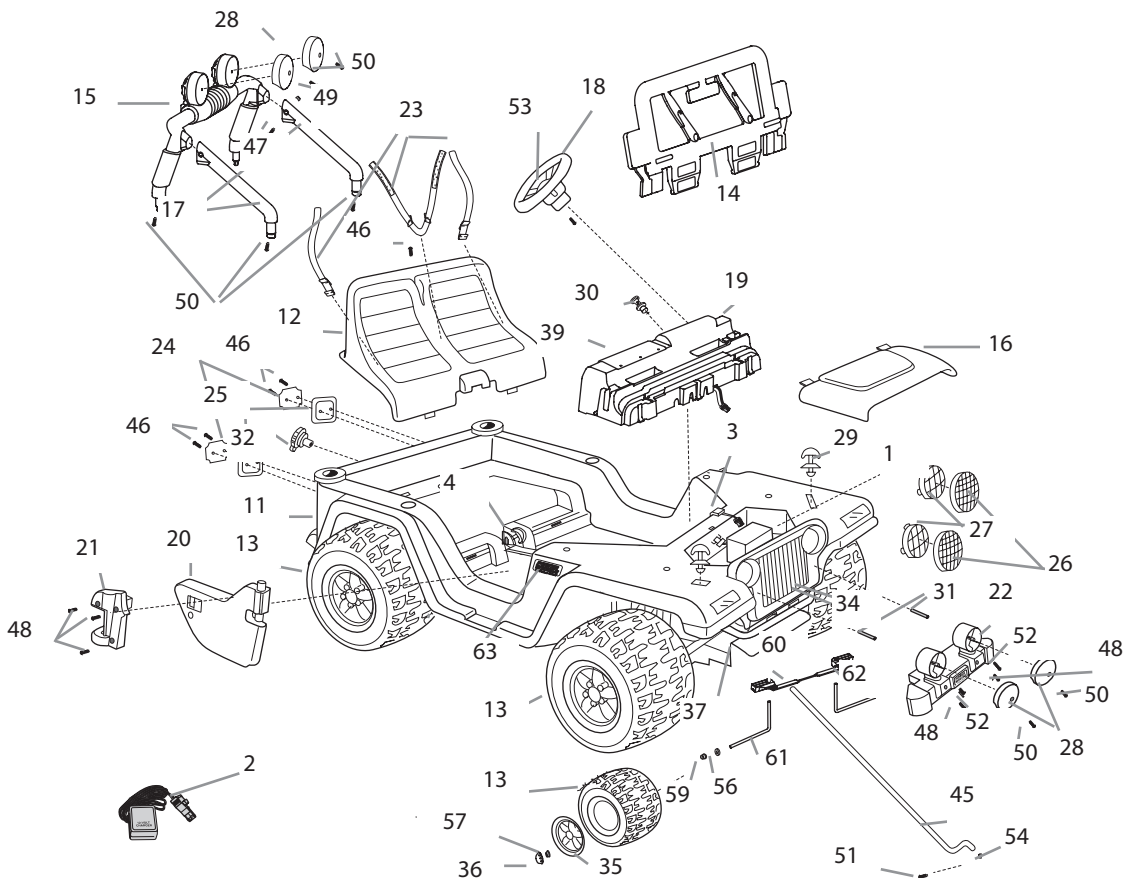


Age Range: 3 and up
 Weight Limit: 130 lbs.
 Surfaces: Grass/Asphalt/Hard Surfaces
 Speed: 2.5 For/Rev
 5.0 For
 Colors: Purple Body/Purple Seat/Black Wheels
 Intro: 2007
 Suggested Retail: \$209.99
 Box Dimensions: 18.375" x 33.375" x 44.75"; 67 lbs.
 Warranty: One Year Vehicle
 6 Months Battery



L7820 Barbie Jammin' Jeep Refresh

12V
Advanced Series



| Item | Part Number | Description | QTY | Item | Part Number | Description | QTY | Part Number | Description | QTY |
|----------|---------------------------|-------------------------------------|----------|---|--------------------------|-------------------------------------|----------|--------------------------|---|----------|
| 1 | 00801-0638 | 12V Single Battery | 1 | 35 | B7659-2469 | Hubcap | 4 | L7820-0920 | Owners Manual | 1 |
| 2 | 00801-1480 | 12V Single Charger | 1 | 36 | B7659-2679 | Hubcap Cover | 4 | L7820-0310 | Decal Sheet | 1 |
| 3 | <u>C2390-9799D</u> | <u>Main Harness Assembly</u> | 1 | 37 | L7820-2119 | Front Module | 1 | <u>00801-0923</u> | <u>Switch Control (Shifter Rocker)</u> | 1 |
| 4 | 74310-9239 | Shifter Assembly | 1 | 39 | <u>H3427-9309</u> | <u>Radio</u> | 1 | L7820-2279 | Door Hinge (Left) | 1 |
| 11 | N/A | Body | 1 | (Consumer Replaceable By Ordering Part 19 - Dash w/Radio Assy.) | | | | | | |
| 12 | L7820-2319 | Seat | 1 | 45 | H3427-4259 | Steering Column | 1 | L7820-9209 | Door (Left) | 1 |
| 13 | B7659-2459 | Wheel | 4 | 46 | N/A | 8 x 1 Screw | 5 | <u>00968-2912</u> | <u>Motor Gearbox Assembly</u> | 2 |
| 14 | L7820-2619 | Windshield | 1 | 47 | N/A | 8-32 x 1.625" Screw | 2 | <u>00968-2802</u> | <u>Gearbox W/out Motor</u> | 2 |
| 15 | L7820-9219 | Sport/Roll Bar | 1 | 48 | N/A | 10 x 1 Screw | 11 | <u>00968-2702</u> | <u>Motor Pinion Assembly</u> | 2 |
| 16 | L7820-2859 | Hood w/Bag | 1 | 49 | N/A | 8 Acorn Lock Nut | 2 | B7659-4529 | Rear Axle | 1 |
| 17 | L7820-9379 | Sport/Roll Bar Support | 2 | 50 | N/A | 10 x 1/2 Screw | 10 | C2390-7829 | Footboard Assembly | 1 |
| 18 | L7820-9039 | Steering Wheel | 1 | 51 | 0912-8001 | 8 x 3/4 Screw | 1 | 3800-7809 | Battery Retainer | 1 |
| 19 | L7820-9259 | Dash w/ Radio | 1 | 52 | N/A | 8 x 3 Screw (Order Hardware Bag) | 2 | 0801-0578 | 1/4 x 1 1/2 Screw | 2 |
| 20 | L7820-9229 | Door (Right) | 1 | 53 | 00801-1565 | 5/32" x 1 1/2" Pin | 1 | 74460-2249 | Wheel Driver | 2 |
| 21 | L7820-2249 | Door Hinge (Right) | 1 | 54 | 00801-1620 | Steering Column Cap (.354 Retainer) | 1 | L7820-2489 | Channel Cover | 1 |
| 22 | 3800-8351 | Brushguard/Bumper | 1 | 56 | 0801-0196 | 7/16 Washer | 4 | H3427-2459 | Radio Battery Cover w/screws & washers | 1 |
| 23 | H3427-5339 | Seatbelt Set | 1 | 57 | 0801-0227 | .437 Cap Nut | 6 | 00801-1503 | Small Power Wheels Emblem | 1 |
| 24 | 73233-2279 | Taillight Lens Set | 1 | 59 | 74550-2689 | 7/16 Round/Axle Bushing | 2 | <u>00801-1566</u> | <u>Footswitch (plunger-type)</u> | 1 |
| 25 | L7820-2749 | Taillight Housing Set | 1 | 60 | 75840-4409 | Cross Bar | 1 | 7/25/2007 13:13 | | |
| 26 | 77770-2469 | Lens Guard | 2 | 61 | B7659-4519 | Front Axle | 1 | | | |
| 27 | 74450-2279 | Headlight Lens | 2 | 62 | B7659-9419D | Steering Linkage | 1 | | | |
| 28 | L7820-2169 | KC Light Cover | 4 | 63 | 00801-1518 | Power Wheels Emblem | 1 | | | |
| 29 | L7820-9559 | Hood Latch | 2 | | | | | | | |
| 30 | 75840-9409 | Key Assembly | 1 | Parts Not Shown | | | | | | |
| 31 | H3427-2529 | Spacer | 2 | Part Number | Description | QTY | | | | |
| 32 | L7820-2439 | Gas Cap | 1 | L7820-9080 | Parts Bag | 1 | | | | |
| 34 | L7820-2849 | Grill | 1 | H3427-9289 | Hardware Bag | 1 | | | | |

Bold and underlined parts are to be purchased and installed by Service Centers only. These items may not be sold directly to consumers by Service Centers or Fisher-Price.

N/A = Not Available